

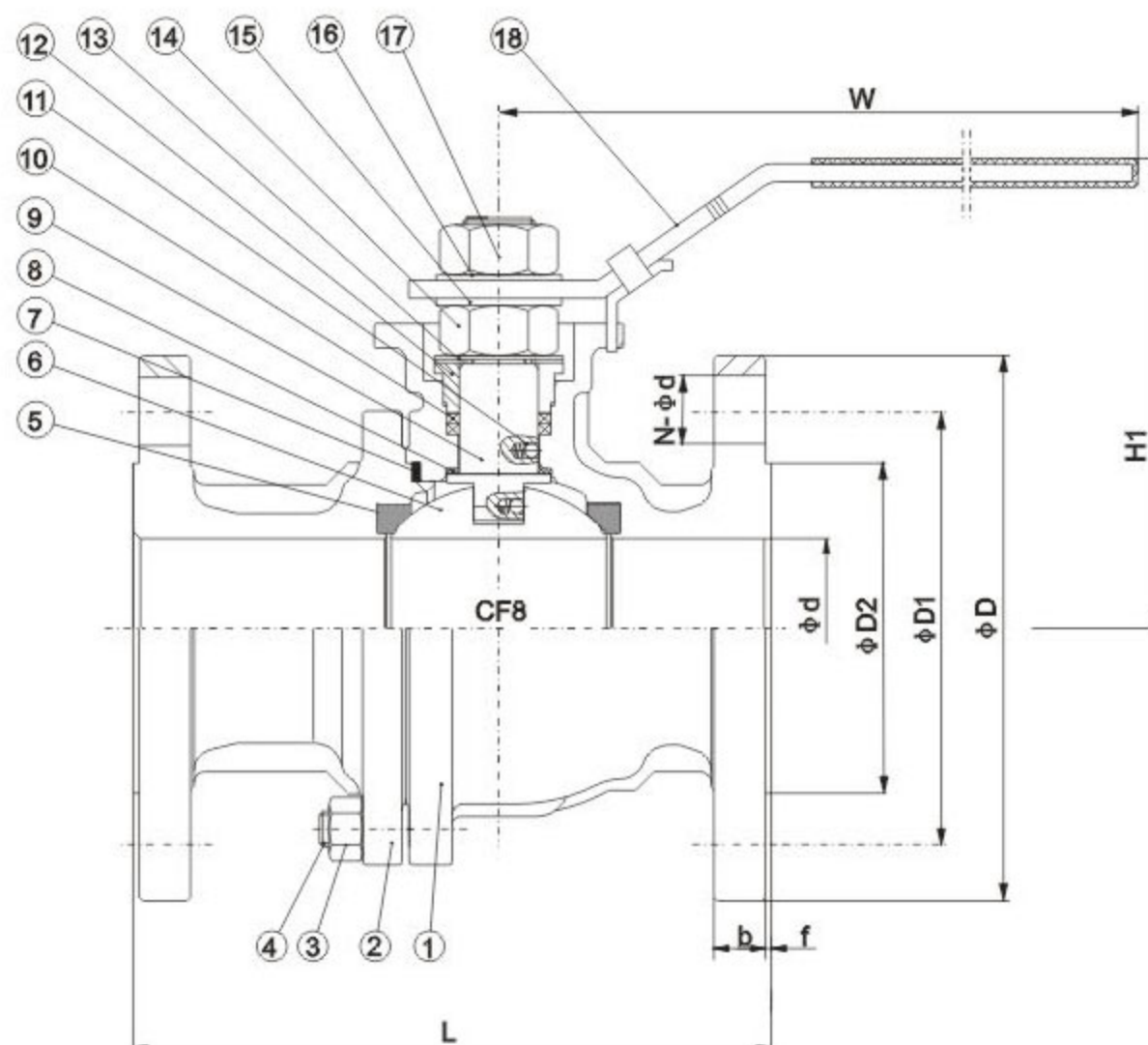
MOUNTING PAD BALL VALVE

The valve has such advantages as small fluid resistance, rapid opening and closing, compact structure, small volume, light weight and good sealing performance. The body and bonnet are subjected to silicasol precise casting,. It adopts ISO0 5211 platform design, and the two disc springs can compress the packing automatically. It is designed with the

blow-out proof stem and anti-static structure. It is suitable for water, gas, oil, natural gas and other acid and alkaline corrosive media. Suitable temperature is less than or equal to 200°C. The driving modes include: manual operation, worm gear transmission, pneumatic operation and electric operation.

Main Parts And Materials

NO.	Part Name	Material	
1	Body	ASTM A351 CF8	ASTM A351 CF8M
2	Bonnet	ASTM A351 CF8	ASTM A351 CF8M
3	Stud	A320 B8	A320 B8M
4	Hexagon nut	A194-8	A194-8M
5	Seat	PTFE	
6	Ball	ASTM A182 304	ASTM A182 316
7	Fireproof sealing gasket	SST+Graphite	
8	Thrust bearing	PTFE	
9	Stem	ASTM A182 304	ASTM A182 316
10	Packing	Graphite	
11	Anti-static device	Combined parts	Combined parts
12	Packing bushing	ASTM A182 304	ASTM A182 316
13	Gland	ANSI 1025	ANSI 1025
14	Hexagon nut	A194-8	A194-8
15	Handle gland	ANSI 1025	ANSI 1025
16	Gasket	ANSI 1025	ANSI 1025
17	Hexagon nut	A194-2HM	A194-2HM
18	Handle	Combined parts	Combined parts



Main size

Pressure class	Nominal diameter (in)		d	L	RF						H1	W
	NPS	DN			D	D1	D2	f	b	N-φd		
150	1/2"	15	13	108	90	60.5	35	2	9	4-φ16	79	140
	3/4"	20	19	117	100	70	43	2	10	4-φ16	84	140
	1"	25	25	127	110	79.5	51	2	11	4-φ16	95	180
	1 1/4"	32	32	140	115	89	64	2	11	4-φ16	103	180
	1 1/2"	40	38	165	125	98.5	73	2	13	4-φ16	111	200
	2"	50	50	178	150	120.5	92	2	14.5	4-φ19	120	200
	3"	80	75	203	190	152.5	127	2	17.5	4-φ19	163	300
	4"	100	100	229	230	190.5	157	2	22.5	8-φ19	182	400
	6"	150	150	394	280	241.5	216	2	24	8-φ22	280	800
8"	200	201	457	345	298.5	270	2	27	8-φ22	448	1100	
300	1/2"	15	13	140	95	66.5	35	2	13	4-φ16	79	140
	3/4"	20	19	152	115	82.5	43	2	14.5	4-φ19	84	140
	1"	25	25	165	125	89	51	2	16	4-φ19	95	180
	1 1/4"	32	32	178	135	98.5	64	2	17.5	4-φ19	103	180
	1 1/2"	40	38	190	155	114.5	73	2	19.5	4-φ22	111	200
	2"	50	50	216	165	127	92	2	21	8-φ19	120	200
	3"	80	75	283	210	168.5	127	2	27	8-φ22	163	300
	4"	100	100	305	255	200	157	2	30.5	8-φ22	182	400
	6"	150	150	403	320	270	216	2	35	12-φ22	280	800
8"	200	201	502	380	330	270	2	40	12-φ25	448	1100	